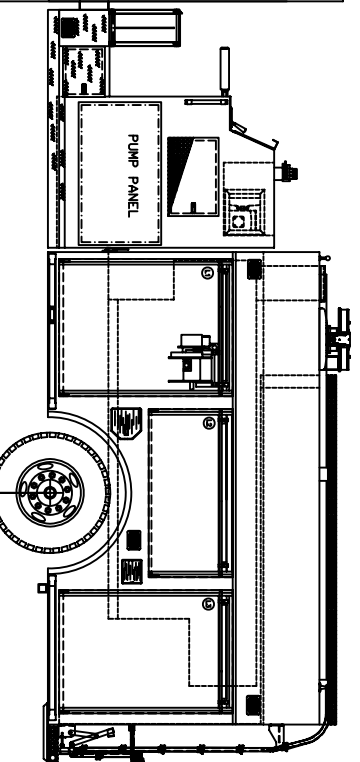
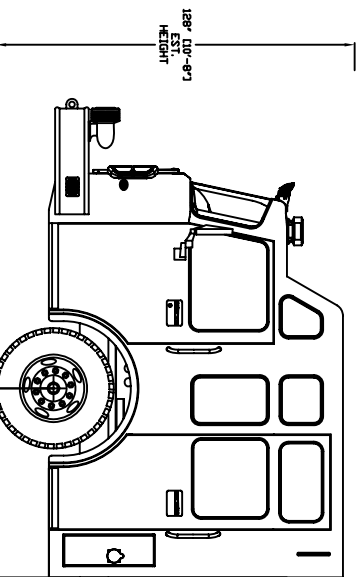
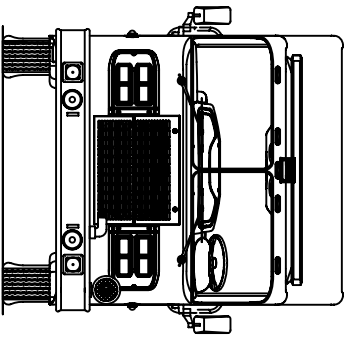
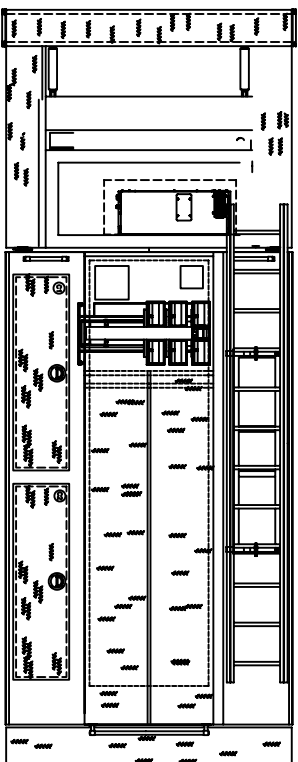


GROUND LADDERS & PIKE POLES				
ITEM	ADDR	LENGTH	MODEL	QTY
A	24' 2 SEC	900A		1
B	14' ROOF	775A		1
C	10' ATTIC	585A		1
D	PIKE POLES			2
E				
F				
G				
H				
I				

COMP.	OPENING	AREA	DEPTH	LOWER
L1/R1	46V X 55.5H	25.75	25.75	N/A
L2	57V X 24H	25.75	25.75	N/A
L3/R3	41V X 55.5H	25.75	25.75	TRAN
R2	31V X 24H	25.75	25.75	N/A
T1	43V X 33H	33	33	33
G1/G2	18V X 68H	20	20	20
INTERMEDIATE DIVIDE HEIGHT				



**NOTE:**  
UNSPECIFIED DECKGAINS WILL NOT BE INCLUDED IN THE OVERALL HEIGHT OF THE VEHICLE. THE ADDITION OF A DECKGAIN MAY INCREASE THE OVERALL HEIGHT OF THE VEHICLE.

**NOTE:**  
DIMENSIONS SHOWN ARE APPROXIMATE AND ARE SUBJECT TO CHANGE AS MAY BE FOUND NECESSARY DURING CONSTRUCTION. KINDER DETAILS MAY NOT BE SHOWN.

THE DRAWING IS FOR REFERENCE PURPOSES ONLY. SOME ITEMS MAY BE MAINTAINED ON THE DRAWING THAT MAY NOT BE INCLUDED IN THE SPECIFICATIONS. SPECIFICATIONS SHALL BE THE FINAL AUTHORITY TO BE DETERMINED WHAT IS SUPPLIED ON THE APPARATUS.

PUMP: WATERIOUS 1500 GPM  
TANK: POLY 1000 GAL  
FDM: 30 GAL CELLS  
BODY: ALUMINUM  
HOSE: 80 CU/IN FEET  
COMPARTMENTS: 334 CU/IN FEET  
CHASSIS: SPANIAN LFD CLASSIC

**PRELIMINARY  
DRAFT**

Date	Revisions	Revisions	Revisions
18 x 24	DAVID CITY VFD/RURAL FIRE DIST	DAVID CITY, NE	DAVID CITY, NE
3/8" = 1'	4/14/08	5069	